

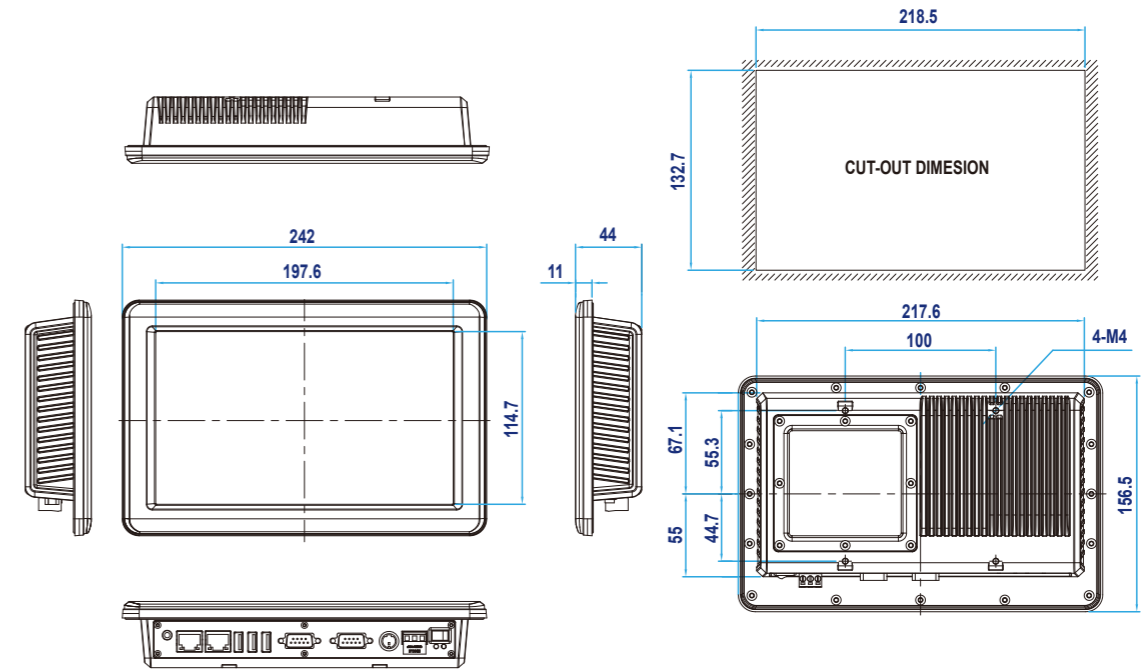
PPC-090T

FEATURES

- 9" TFT LCD with Resistive Touchscreen
- DM&P Processor 1GHz Onboard
- 512MB / 1GB System Memory Onboard
- Compact Flash Type I/II / SD Slot / SATA
- Fanless and Low Power Consumption
- Metal Chassis with Compact Design



DIMENSIONS

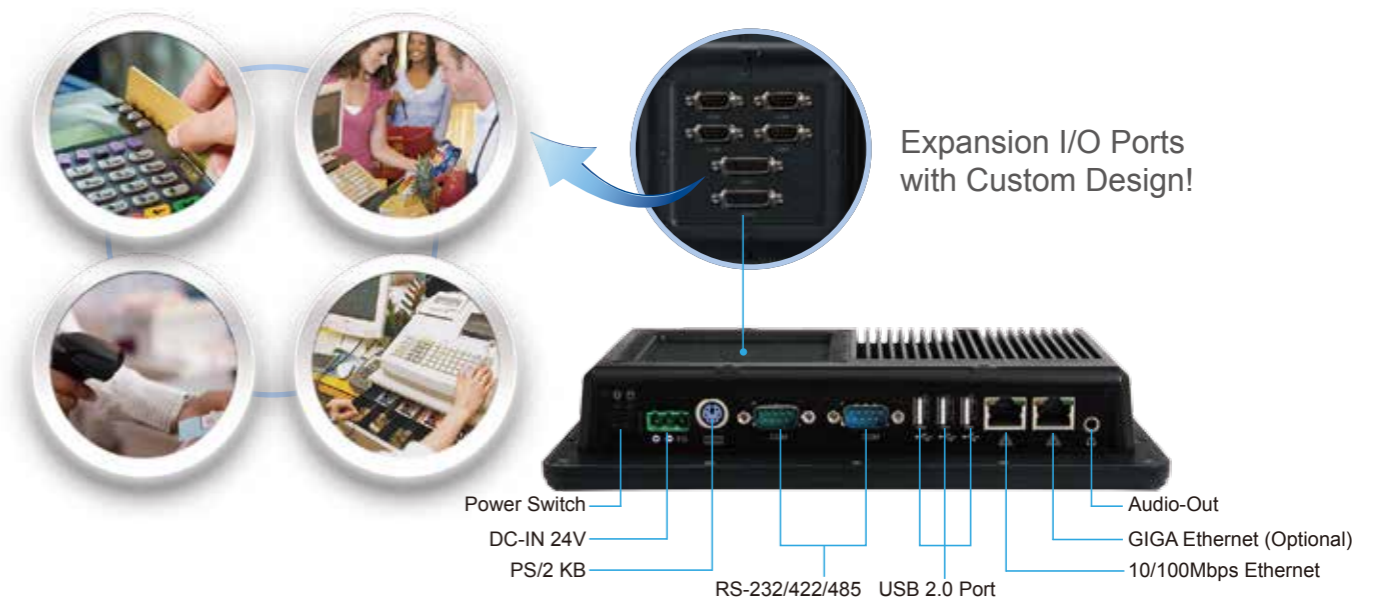


Unit: mm

SPECIFICATION

SPECIFICATION \ MODEL		PPC-090T
LCD Display	Type	WSVGA TFT LCD
	Size	9"
	Resolution (Pixel)	1024x600
	Colors	262,144
	View Angle	Angle Vertical 140°, Horizontal 160°
	Brightness	300 cd/m ²
	Backlight life	25,000 hrs
	Contrast Ratio	500:1
CPU		DM&P Vortex86DX2 1GHz
Cache		L1: 16KB I-Cache, 16KB D-Cache L2:256KB Cache
Memory		512MB / 1GB Memory Onboard
Watchdog Timer		Software Programmable from 30.5u to 512 Seconds x 2 Sets
Serial Port		RS-232 / 422 / 485 x 2
USB Ports		USB Ports (Version 2.0) x 3
Ethernet		Integrated 10/100Mbps Ethernet / Giga Ethernet (Optional)
Audio		HD Audio-Realtek ALC262 CODEC
Internal Drives		Compact Flash Type I/II Slot, SD Slot, SATA
Touch Screen Type		Analog Resistive
Expansion Slot		Wi-Fi Optional
Power Requirement		+12VDC / +24VDC
Power Consumption		+24VDC@ 1A
Operating Temperature		0 ~ +50°C (+32 ~ +122°F) / -20°C~+60°C (-4 ~ +140°F)
Storage Temperature		-30 ~ +70 °C (-22 ~ +158 °F)
Operating Humidity		0% ~ 90% Relative Humidity, Non-Condensing
Operating System		DOS, Linux, Windows CE, Windows XP
Dimensions		242x156.5x44mm (9.68"x6.26"x1.76")
Weight		3.0 kg
Certificate		CE, FCC, VCCI, Vibration, IP65 (Front Panel)

I/O VIEW



ORDERING INFORMATION

PPC-090T-D2N	9" Panel PC w/1GB Memory / 3USB / AUDIO / LAN / 2COM / DC12~24V
PPC-090T-D2N-GE	9" Panel PC w/1GB Memory / 3USB / AUDIO / LAN / GIGA LAN / 2COM / DC12~24V
PPC-090T-D2W	9" Panel PC w/1GB Memory / 3USB / AUDIO / LAN / 2COM / DC12~24V / Wide Temp
PPC-090T-D2W-GE	9" Panel PC w/1GB Memory / 3USB / AUDIO / LAN / GIGA LAN / 2COM / DC12~24V / Wide Temp